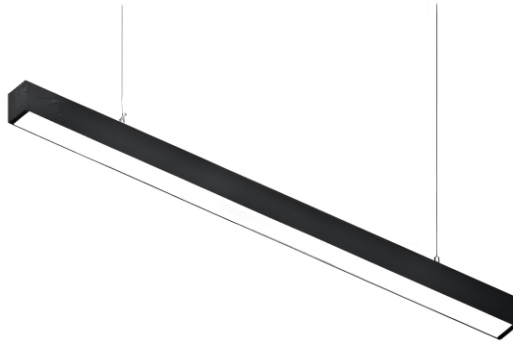


VECTA

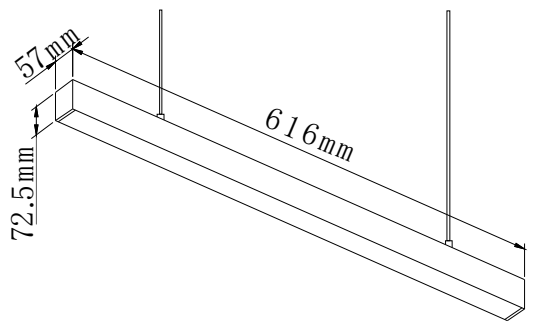


LINEAR LIGHT

VEC-46219

Description: Linear light for indoor architectural applications. Their minimal design with high visual comfort, suitable for residential and commercial projects.

Light Source : LED
Rated Power : 20W
Luminous Efficacy 100lm/W
Beam Angle : 100°
CCT : 3000K/4000K/5700K
CCT Selection: /
Colour Rendering Index (CRI): 80
Input Voltage : 110-277V
Driver : 0-10V dimmer driver
Dimming Protocol: 0-10V
Body Material: Aluminium
Diffuser: Polycarbonate
Finish : Black
Dimensions: 616*57*72.5mm
Ingress Protection: IP20
Operating Temperature : -10 °C to +40 °C
Power Factor : 0.9
Installation: linear
Lifetime : 20,000 h
Warranty: 2 years



Polar diagram

