



# SPIKE

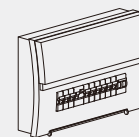
VEC-46251

# VECTA



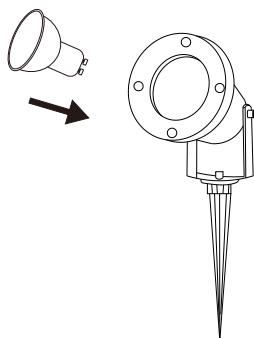
## WARNING ⚡

1. Switch off before installation.
2. Switch on only after complete installation and examination of the circuit.
3. Professional electrician for installation and maintenance only.

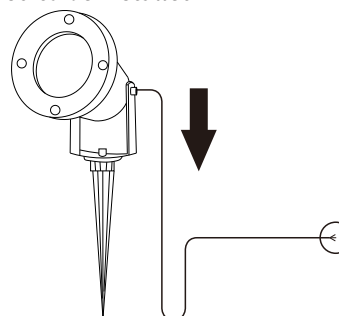


**Turn Off  
Power Supply**

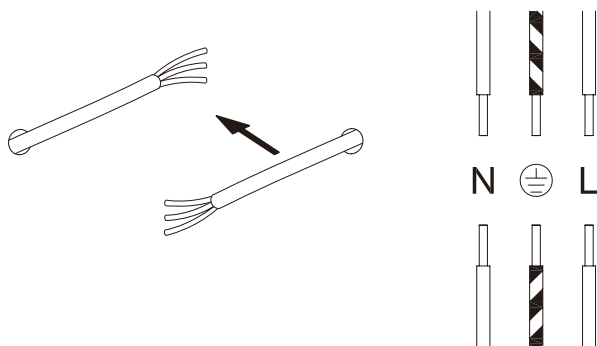
### Step1. Install GU10 light source



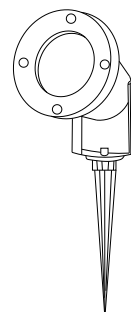
### Step2. Insert the light fixtures into the ground where they need to be installed



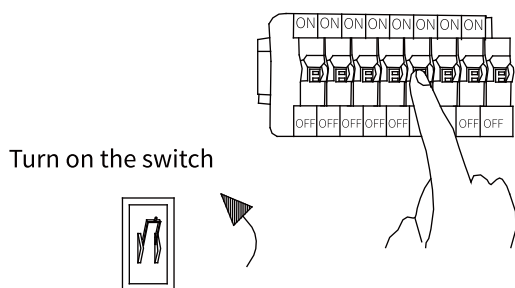
### Step3. Connect the power cable. Ensure proper waterproof protection for the joint



### Step4. Installation Complete



### Step5. Make sure the downlight fixed tightly in ceiling, turn on the power



Caution: Please note that DO NOT use this product in the following places/application.

1. The place has a large quantity of chemical corrosive substance, such as: chemical plant and stockyard etc.
2. The place has poor temperature conditions, large-scale temperature variation, which would easily lead to broken and damage the product, the applicable operating temperature is between -20 and 40 degrees.

