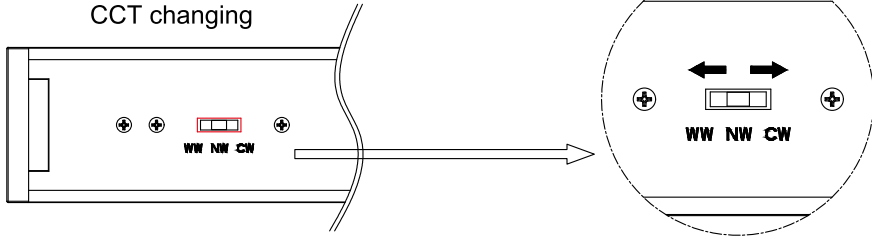


LED Linear light

VECTA

*IF have 3 CCT, set them like this
CCT changing



A. Surface-mounted installation (single light)

1

2

3

4

5

Surface-mounted installation (Link the lights in a series)

1

2

3

4

B. Suspending installation (With suspension kits)

Install the suspension kits

Expansion tube*2 Self-tapping screw*2 Hanging wire & lock wire *2 Side adjustment fittings*4 Hanging accessories-A*2 Hanging plate*2 Hanging plate screw*8

Drill holes at the position you marked ensuring they are located in a joist.
Do not rely on plasterboard to support the weight of the fitting.

Option 1. Install single light

1. Disassemble the end cap and the cover. (up and unplug)

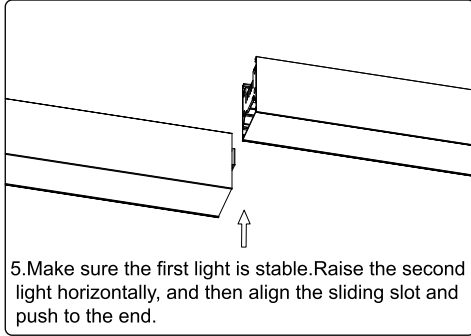
2. Put D (hanging part) into the groove

3. Put locking piece into the groove

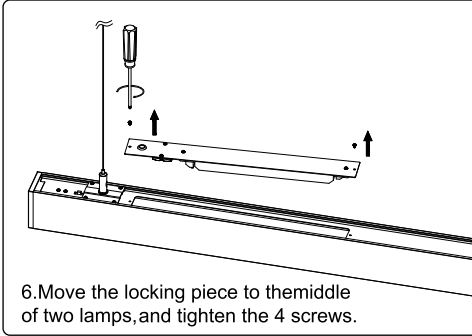
4. Screw the A (which on the chain) into D (hanging part)

Option 2. Link the lights in a series

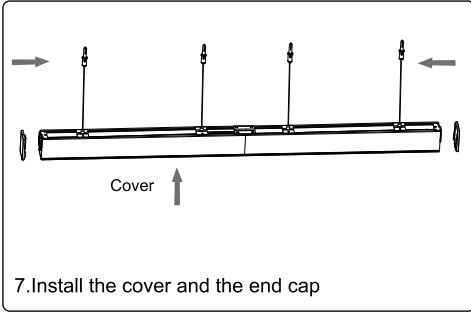
Make sure the metal chains are installed on the same line.



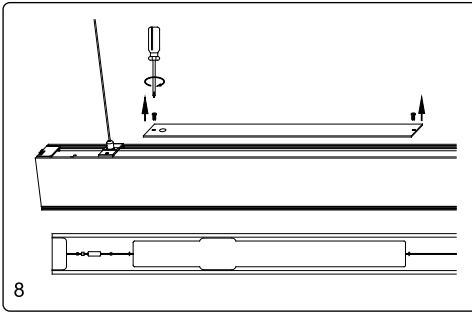
5. Make sure the first light is stable. Raise the second light horizontally, and then align the sliding slot and push to the end.



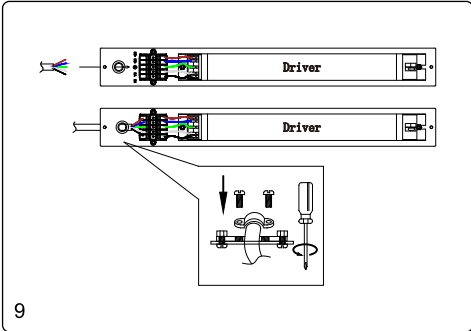
6. Move the locking piece to the middle of two lamps, and tighten the 4 screws.



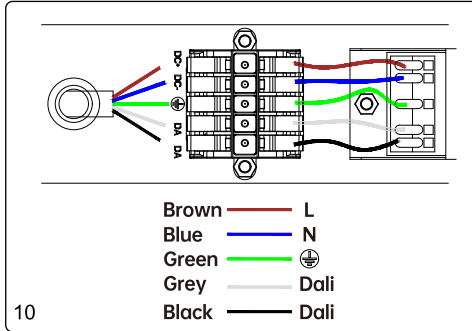
7. Install the cover and the end cap



8

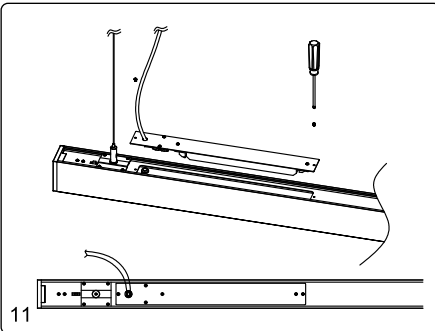


9

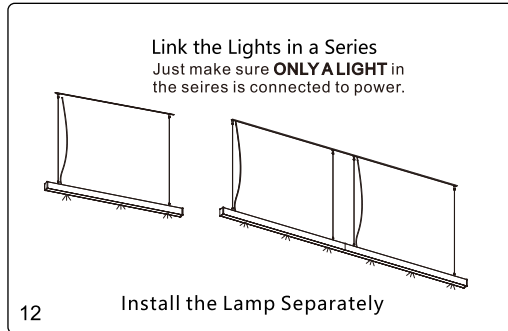


10

- Brown — L
- Blue — N
- Green — ⊕
- Grey — Dali
- Black — Dali



11



12

Link the Lights in a Series
Just make sure **ONLY A LIGHT** in the series is connected to power.

Install the Lamp Separately

WARNING ⚡

1. Switch off before installation.
2. Switch on only after complete installation and examination of the circuit.
3. Professional electrician for installation and maintenance only.
4. This product has a power cable on the back of the lamp. If you need to link them in a series, just need to connect on light the AC power in a series.
5. When connecting the lights in a series, please do not connect more than 10 lights.
6. Make sure the end cover were covered after installation.
7. This product has a power input line in the slot on the outside of the back of each lamp. Series connection is completed in each group, and 220-240V AC mains power can be input in one lamp of them.
8. Connect the power input line with the ground cable identifier to the ground cable.



Turn Off
Power Supply