

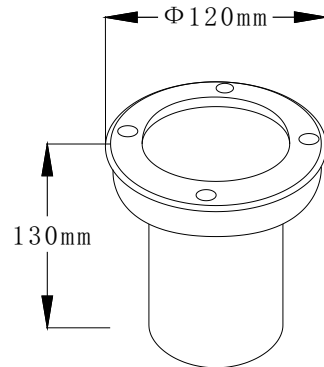


IN-GROUND RECESSED LIGHT

VEC-46266

Description: Architectural luminaire for outside applications. Minimal design with high visual comfort, suitable for residential and commercial projects.

Light Source : GU10
Rated Power : /
Luminous Efficacy /
Beam Angle : /
CCT : /
CCT Selection: /
Colour Rendering Index (CRI): /
Input Voltage : 110-130V
Driver : /
Dimming Protocol: /
Body Material: Aluminium
Diffuser: glass
Finish : Black
Dimensions: $\Phi 120 \times 130$ mm
Ingress Protection: IP67
Operating Temperature : $-10\text{ }^{\circ}\text{C}$ to $+40\text{ }^{\circ}\text{C}$
Power Factor : /
Installation: in-ground recessed
Lifetime : 20,000 h
Warranty: 2 years



Polar diagram