

LED TRACK LIGHT

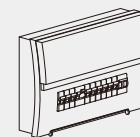
VEC- 46171/VEC-46172

VECTA



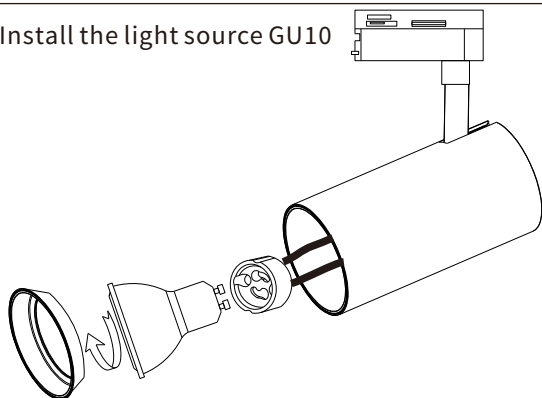
WARNING

1. Switch off before installation.
2. Switch on only after complete installation and examination of the circuit.
3. Professional electrician for installation and maintenance only.

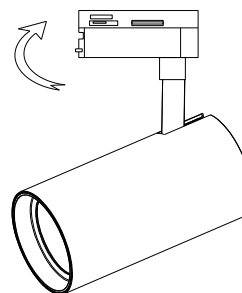


Turn Off Power Supply

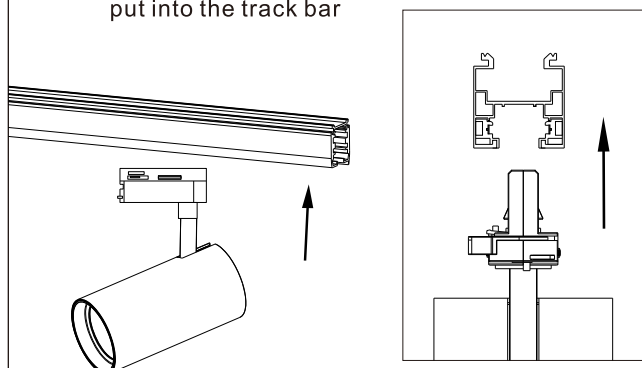
step 1. Install the light source GU10



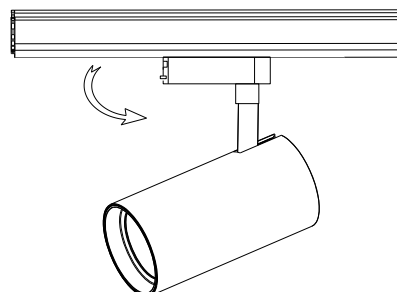
step 2. Make the power adaptor set to OFF



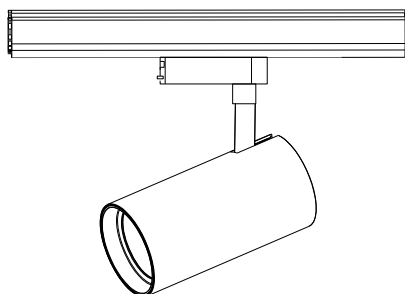
Step3. Make the led track light put into the track bar



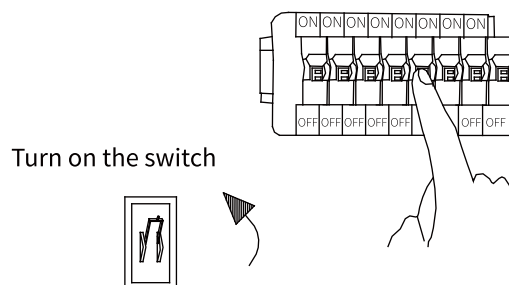
Step4. Turn the handle 90 degrees according the direction as shown in the picture , make sure the adaptor be locked in the track bar



Step5. Adjust the illumination angle of the lamp



Step6. Make sure the downlight fixed tightly in ceiling, turn on the power



Caution: Please note that DO NOT use this product in the following places/application.

1. The place has a large quantity of chemical corrosive substance, such as: chemical plant and stockyard etc.
2. The place has poor temperature conditions, large-scale temperature variation, which would easily lead to broken and damage the product, the applicable operating temperature is between -20 and 40 degrees.

