

LED DOWNLIGHT

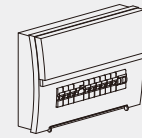
VEC-46240/VEC-46241

VECTA

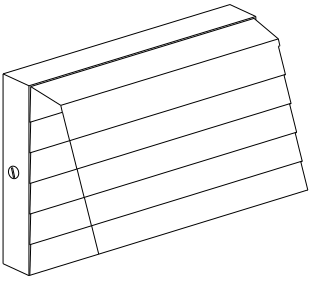
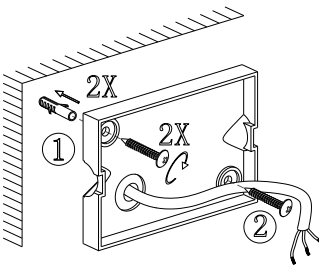
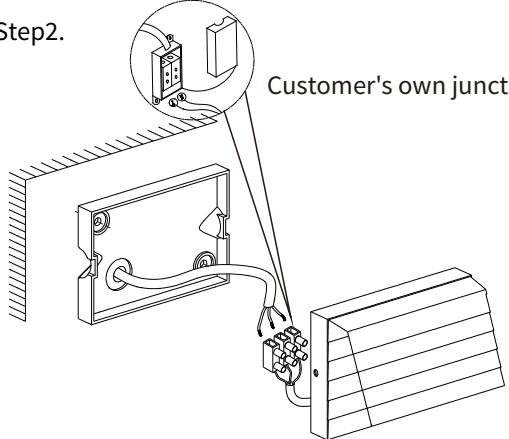
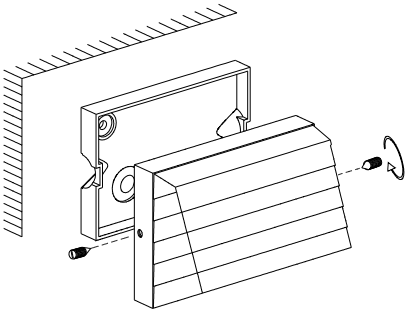
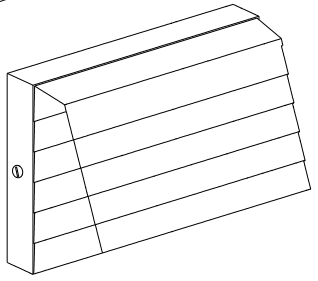
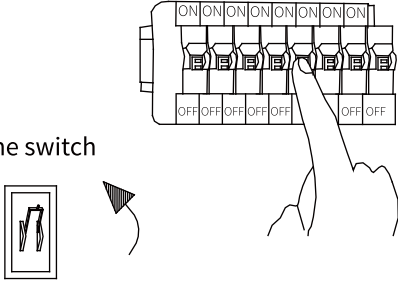


WARNING ⚡

1. Switch off before installation.
2. Switch on only after complete installation and examination of the circuit.
3. Professional electrician for installation and maintenance only.



Turn Off Power Supply

	<p>Step1. Fix the ceiling plate to the ceiling with screws.</p> 
<p>Step2.</p>  <p>Customer's own junction box</p>	<p>Step3. Tighten the light fixture onto the ceiling plate to ensure a secure installation.</p> 
<p>Step4. Installation Complete</p> 	<p>Step5. Make sure the downlight fixed tightly in ceiling, turn on the power</p>  <p>Turn on the switch</p>

Caution: Please note that DO NOT use this product in the following places/application.

1. The place has a large quantity of chemical corrosive substance, such as: chemical plant and stockyard etc.
2. The place has poor temperature conditions, large-scale temperature variation, which would easily lead to broken and damage the product, the applicable operating temperature is between -20 and 40 degrees.

