

# LED TRACK LIGHT

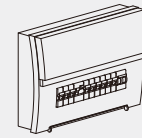
VEC-46170

# VECTA

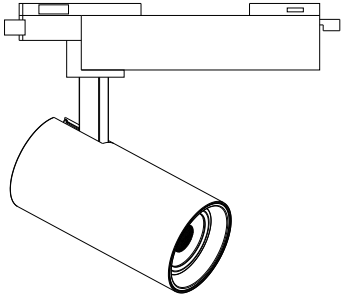
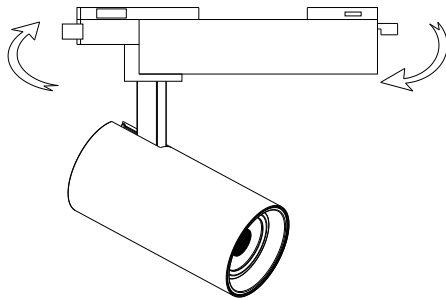
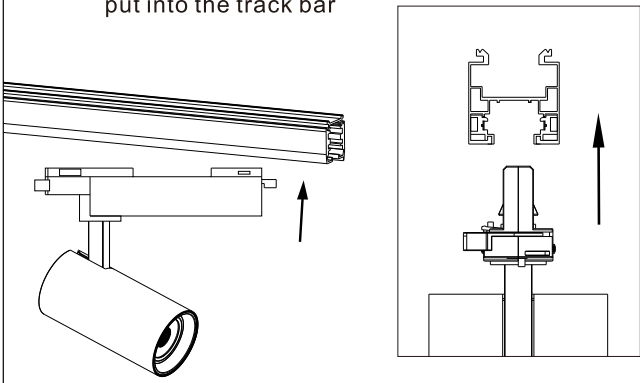
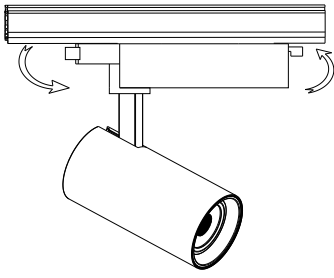
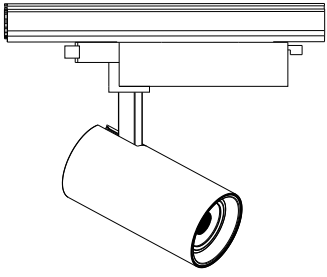
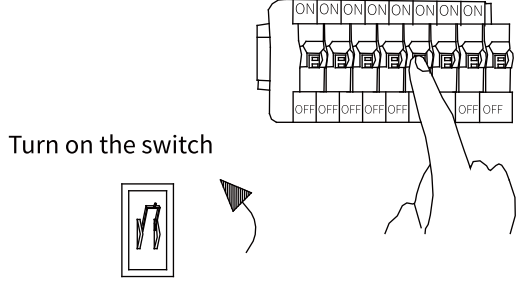


## WARNING

1. Switch off before installation.
2. Switch on only after complete installation and examination of the circuit.
3. Professional electrician for installation and maintenance only.



**Turn Off Power Supply**

	<p>step 1. Make the power adaptor set to OFF</p> 
<p>Step2. Make the led track light put into the track bar</p> 	<p>Step3. Turn the handle 90 degrees according the direction as shown in the picture , make sure the adaptor be locked in the track bar</p> 
<p>Step4. Adjust the illumination angle of the lamp</p> 	<p>Step5. Make sure the downlight fixed tightly in ceiling, turn on the power</p>  <p>Turn on the switch</p>

Caution: Please note that DO NOT use this product in the following places/application.

1. The place has a large quantity of chemical corrosive substance, such as: chemical plant and stockyard etc.
2. The place has poor temperature conditions, large-scale temperature variation, which would easily lead to broken and damage the product, the applicable operating temperature is between -20 and 40 degrees.

