

LED DOWNLIGHT

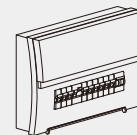
VEC-46233/VEC-46234/VEC-46235/VEC-46236/VEC-46237/VEC-46238

VECTA



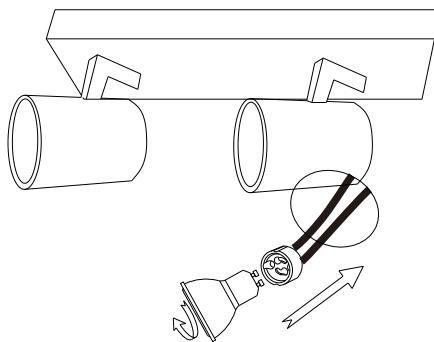
WARNING

1. Switch off before installation.
2. Switch on only after complete installation and examination of the circuit.
3. Professional electrician for installation and maintenance only.

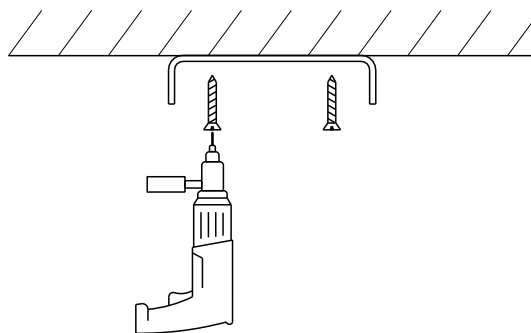


**Turn Off
Power Supply**

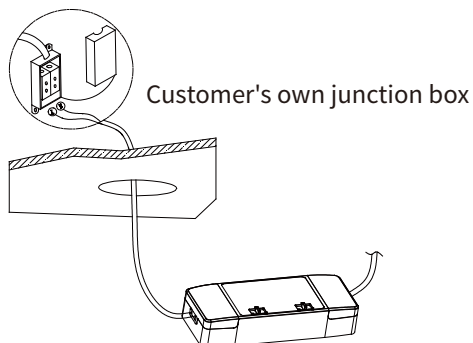
step 1. Install the light source GU10



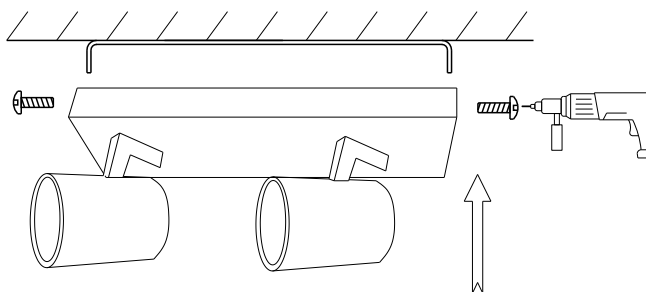
Step2. Fix the ceiling plate to the ceiling with screws.



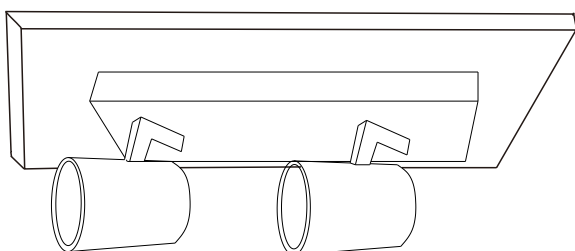
Step3.



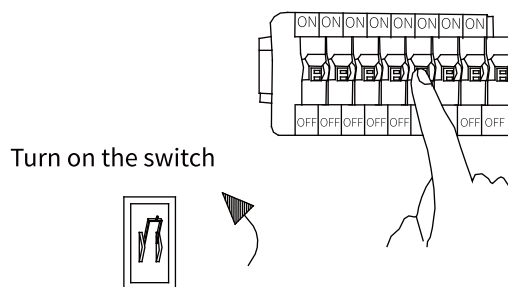
Step4. Tighten the light fixture onto the ceiling plate to ensure a secure installation.



Step5. Installation Complete



Step6. Make sure the downlight fixed tightly in ceiling, turn on the power



Caution: Please note that DO NOT use this product in the following places/application.

1. The place has a large quantity of chemical corrosive substance, such as: chemical plant and stockyard etc.
2. The place has poor temperature conditions, large-scale temperature variation, which would easily lead to broken and damage the product, the applicable operating temperature is between -20 and 40 degrees.

