



LED WALL WASHER LIGHT

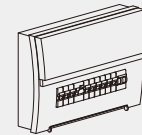
VEC-46297

VECTA



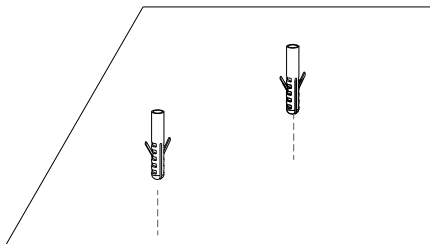
WARNING

1. Switch off before installation.
2. Switch on only after complete installation and examination of the circuit.
3. Professional electrician for installation and maintenance only.

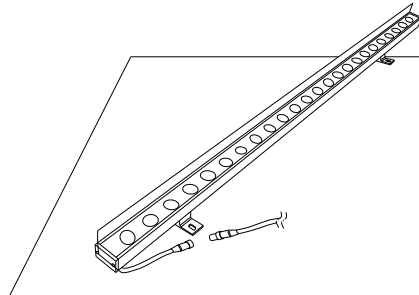


**Turn Off
Power Supply**

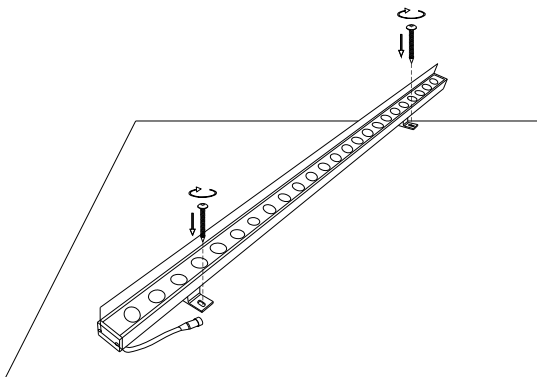
Step1.



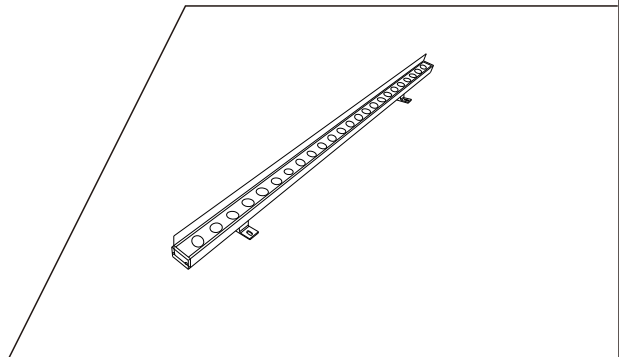
Step2. Connect the power cord.



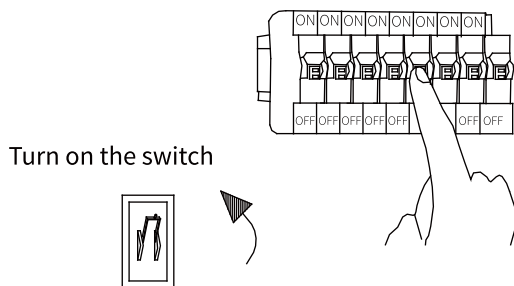
Step3.



Step4. Installation Complete.



Step5. Make sure the lamp fixed tightly in ground, turn on the power.



Caution: Please note that DO NOT use this product in the following places/application.

1. The place has a large quantity of chemical corrosive substance, such as: chemical plant and stockyard etc.
2. The place has poor temperature conditions, large-scale temperature variation, which would easily lead to broken and damage the product, the applicable operating temperature is between -20 and 40 degrees.

