

LED TRACK LIGHT

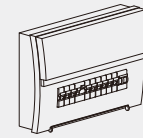
VEC- 46169

VECTA

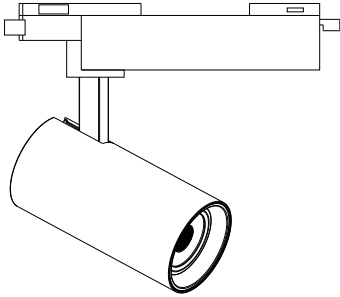
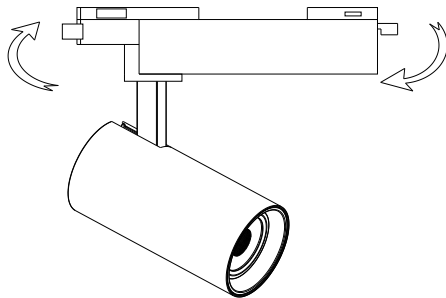
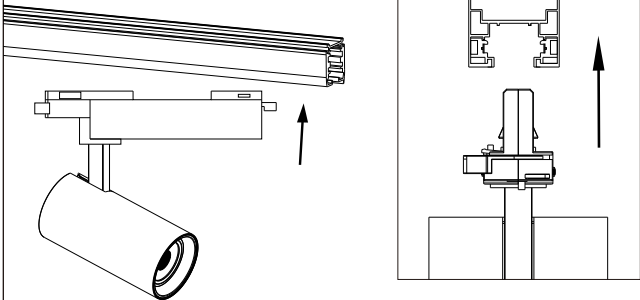
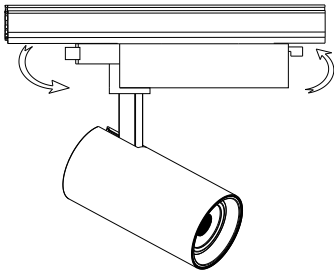
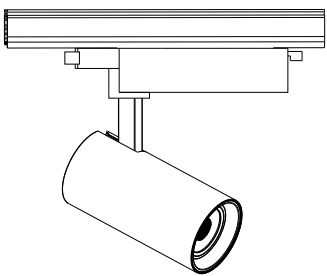
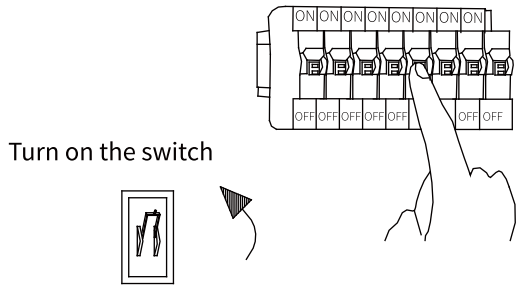


WARNING

1. Switch off before installation.
2. Switch on only after complete installation and examination of the circuit.
3. Professional electrician for installation and maintenance only.



Turn Off Power Supply

	<p>step 1. Make the power adaptor set to OFF</p> 
<p>Step2. Make the led track light put into the track bar</p> 	<p>Step3. Turn the handle 90 degrees according the direction as shown in the picture , make sure the adaptor be locked in the track bar</p> 
<p>Step4. Adjust the illumination angle of the lamp</p> 	<p>Step5. Make sure the downlight fixed tightly in ceiling, turn on the power</p>  <p>Turn on the switch</p>

Caution: Please note that DO NOT use this product in the following places/application.

1. The place has a large quantity of chemical corrosive substance, such as: chemical plant and stockyard etc.
2. The place has poor temperature conditions, large-scale temperature variation, which would easily lead to broken and damage the product, the applicable operating temperature is between -20 and 40 degrees.

